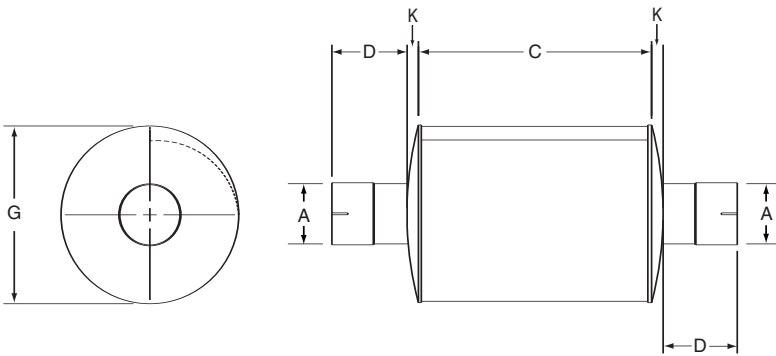




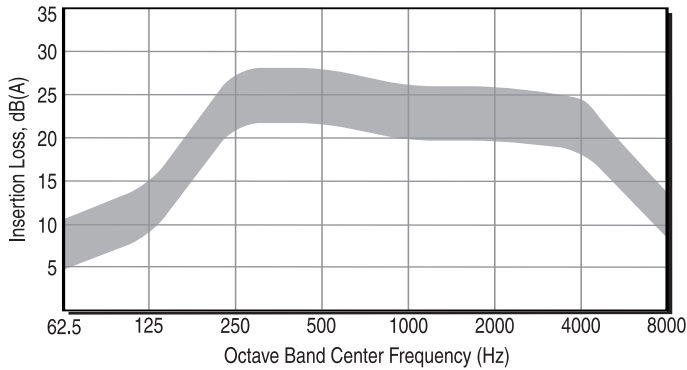
ENGINE EXHAUST SILENCERS

TS RESIDENTIAL GRADE — “SV” MODEL

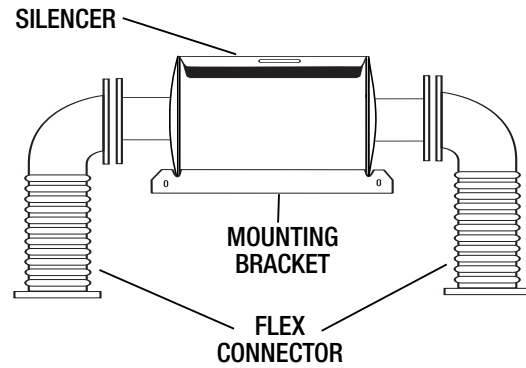


- Typical Insertion Loss = 22 — 28 dB(A)
(Actual Insertion Loss May Vary Per Application)
- Compact Spiral Chamber Design
- Low Back Pressure
- Aluminized Steel Construction
- Low Weight
- Standard Slip-Fit Connections
- Standard High Temp Finish
- Complete Line of Accessories and Mounting Brackets
- Stainless Steel Construction & Factory Customization Available

Representative Cowl Insertion Loss - TS Series dB(A)



Engine Exhaust Silencer & Accessories



Not pictured: Insulation Blanket

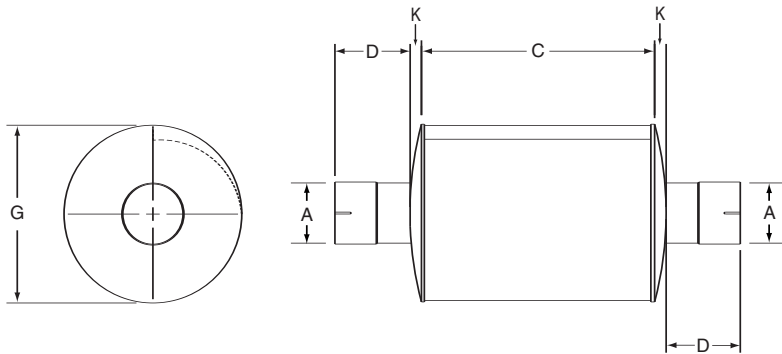
DIMENSIONS IN INCHES/MILLIMETERS, WEIGHT IN POUNDS/KILOGRAMS

PART NO.	A inch / mm	C inch / mm	D inch / mm	G inch / mm	K inch / mm	WEIGHT pounds / kg
TS20SV000	2.00 / 51	9.24 / 235	3.25 / 83	11.81 / 300	.75 / 19	32 / 15
TS25SV000	2.50 / 64	11.49 / 292	3.25 / 83	11.81 / 300	.75 / 19	39 / 18
TS30SV000	3.00 / 76	15.49 / 393	5.25 / 133	11.81 / 300	.75 / 19	47 / 22
TS35SV000	3.50 / 89	16.50 / 419	5.00 / 127	16.06 / 408	1.00 / 25	70 / 32
TS40SV000	4.00 / 102	22.49 / 571	5.00 / 127	16.06 / 408	1.00 / 25	90 / 41
TS45SV000	4.50 / 114	22.49 / 571	5.00 / 127	16.06 / 408	1.00 / 25	90 / 41
TS50SV-7000	5.00 / 127	15.35 / 390	4.55 / 116	22.00 / 559	1.45 / 37	103 / 47
TS50SV-8000	5.00 / 127	24.27 / 616	4.55 / 116	22.00 / 559	1.45 / 37	150 / 68
TS60SV-8000	6.00 / 152	24.27 / 616	4.55 / 116	22.00 / 559	1.45 / 37	155 / 71
TS80SV-10000	8.00 / 203	30.08 / 764	6.25 / 159	28.00 / 711	1.75 / 44	230 / 105
TS80SV-12000	8.00 / 203	36.06 / 916	5.75 / 146	33.00 / 838	2.25 / 57	330 / 150

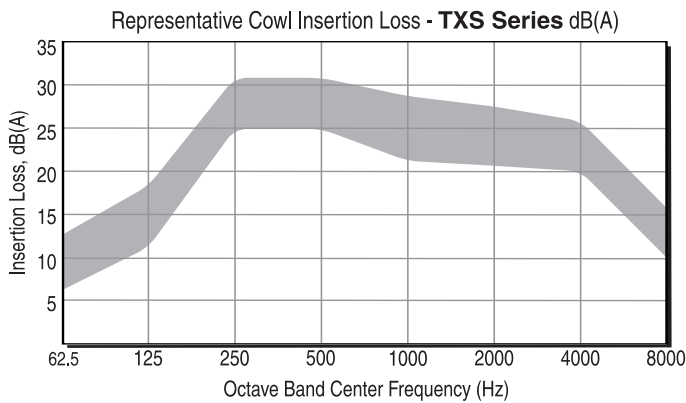


ENGINE EXHAUST SILENCERS

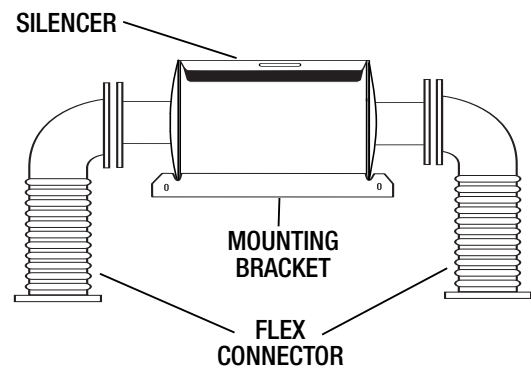
TXS CRITICAL GRADE — “SV” MODEL



- Typical Insertion Loss = 28 — 33 dB(A)
(Actual Insertion Loss May Vary Per Application)
- Compact Spiral Chamber Design
- Low Back Pressure
- Aluminized Steel Construction
- Low Weight
- Standard Slip-Fit Connections
- Standard High Temp Finish
- Complete Line of Accessories and Mounting Brackets
- Stainless Steel Construction & Factory Customization Available



Engine Exhaust Silencer & Accessories



Not pictured: Insulation Blanket

DIMENSIONS IN INCHES/MILLIMETERS, WEIGHT IN POUNDS/KILOGRAMS

PART NO.	A inch / mm	C inch / mm	D inch / mm	G inch / mm	K inch / mm	WEIGHT pounds / kg
TXS20SV000	2.00 / 51	9.24 / 235	3.00 / 76	16.06 / 408	1.00 / 25	50 / 23
TXS25SV000	2.50 / 64	11.49 / 292	3.00 / 76	16.06 / 408	1.00 / 25	62 / 29
TXS30SV000	3.00 / 76	15.49 / 393	5.00 / 127	16.06 / 408	1.00 / 25	76 / 35
TXS35SV000	3.50 / 89	16.50 / 419	4.55 / 116	19.38 / 492	1.45 / 37	97 / 44
TXS40SV000	4.00 / 102	22.49 / 571	4.55 / 116	19.38 / 492	1.45 / 37	125 / 57
TXS45SV000	4.50 / 114	22.49 / 571	4.55 / 116	19.38 / 492	1.45 / 37	126 / 58
TXS50SV-7000	5.00 / 127	15.41 / 391	4.55 / 116	26.50 / 673	1.45 / 37	150 / 68
TXS50SV-8000	5.00 / 127	24.33 / 618	4.55 / 116	26.50 / 673	1.45 / 37	220 / 100
TXS60SV-8000	6.00 / 152	24.33 / 618	4.55 / 116	26.50 / 673	1.45 / 37	220 / 100
TXS80SV-10000	8.00 / 203	30.08 / 764	6.25 / 159	34.00 / 864	1.75 / 44	337 / 153
TXS80SV-12000	8.00 / 203	36.06 / 916	5.75 / 146	40.00 / 1016	2.25 / 57	500 / 227