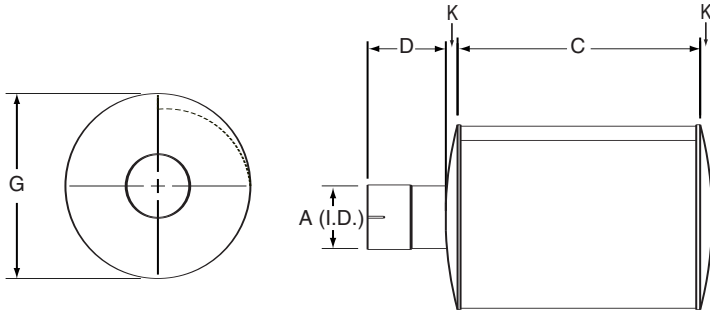




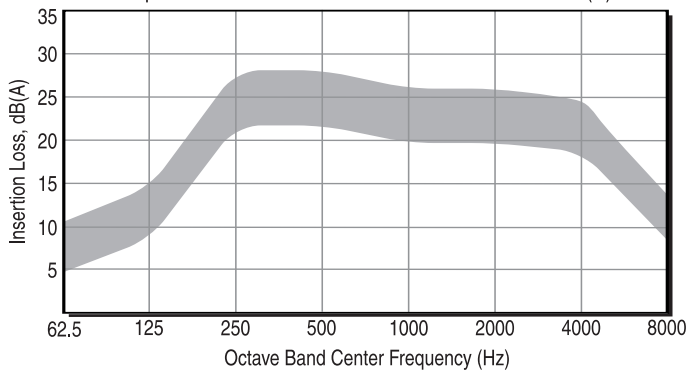
# ENGINE EXHAUST SILENCERS

## TS RESIDENTIAL GRADE — “SR” MODEL

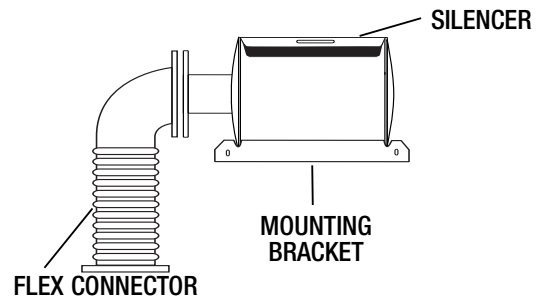


- Typical Insertion Loss = 22 — 28 dB(A)  
(Actual Insertion Loss May Vary Per Application)
- Compact Spiral Chamber Design
- Low Back Pressure
- Aluminized Steel Construction
- Low Weight
- Standard Slip-Fit Connections
- Standard High Temp Finish
- Complete Line of Accessories and Mounting Brackets
- Stainless Steel Construction & Factory Customization Available

Representative Cowl Insertion Loss - TS Series dB(A)



### Engine Exhaust Silencer & Accessories



Not pictured: Insulation Blanket

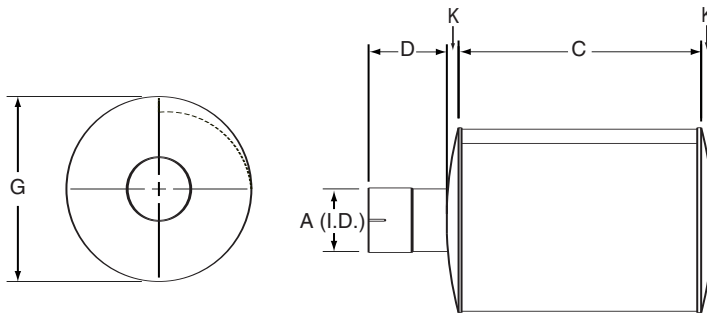
### DIMENSIONS IN INCHES/MILLIMETERS, WEIGHT IN POUNDS/KILOGRAMS

PART NO.	A inch / mm	C inch / mm	D inch / mm	G inch / mm	K inch / mm	WEIGHT pounds / kg
TS15SR000	1.50 / 38	5.24 / 133	2.50 / 64	7.18 / 182	.50 / 13	10 / 5
TS20SR000	2.00 / 51	7.24 / 184	3.50 / 89	7.18 / 182	.50 / 13	14 / 7
TS25SR000	2.50 / 64	8.24 / 209	3.50 / 89	8.81 / 224	.50 / 13	16 / 8
TS30SR000	3.00 / 76	9.24 / 235	5.25 / 133	11.81 / 300	.75 / 19	32 / 15
TS35SR000	3.50 / 89	11.49 / 292	5.25 / 133	11.81 / 300	.75 / 19	35 / 16
TS40SR000	4.00 / 102	15.49 / 393	5.25 / 133	11.81 / 300	.75 / 19	46 / 21
TS45SR000	4.50 / 114	12.49 / 317	5.00 / 127	16.06 / 408	1.00 / 25	56 / 26
TS50SR000	5.00 / 127	16.49 / 419	5.00 / 127	16.06 / 408	1.00 / 25	70 / 32
TS60SR000	6.00 / 152	22.49 / 571	5.00 / 127	16.06 / 408	1.00 / 25	90 / 41
TS70SR000	8.00 / 203	15.35 / 390	6.55 / 166	22.00 / 559	1.45 / 37	100 / 46
TS80SR000	8.00 / 203	24.27 / 616	6.55 / 166	22.00 / 559	1.45 / 37	150 / 68
TS100SR000	10.00 / 254	30.08 / 764	6.25 / 159	28.00 / 711	1.75 / 44	230 / 105
TS120SR000	12.00 / 305	36.08 / 916	5.75 / 146	33.00 / 838	2.25 / 57	330 / 150

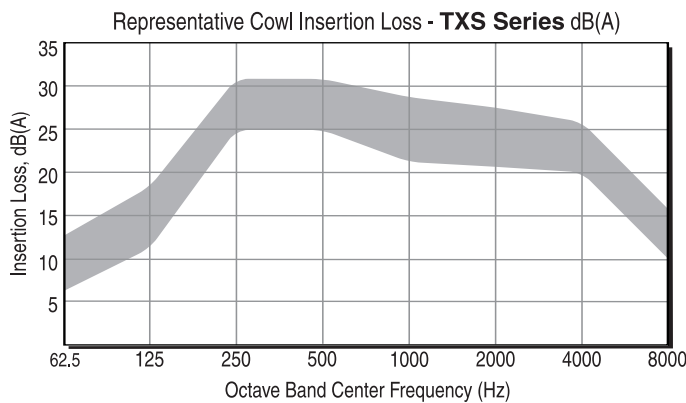


# ENGINE EXHAUST SILENCERS

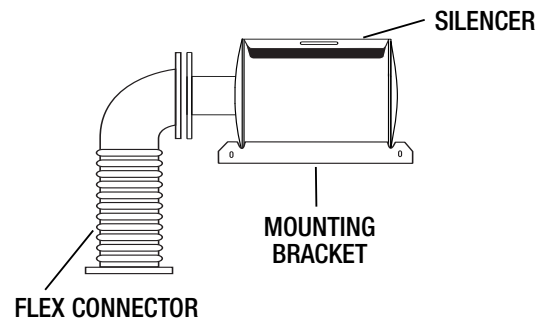
## TXS CRITICAL GRADE — “SR” MODEL



- Typical Insertion Loss = 28 — 33 dB(A)  
(Actual Insertion Loss May Vary Per Application)
- Compact Spiral Chamber Design
- Low Back Pressure
- Aluminized Steel Construction
- Low Weight
- Standard Slip-Fit Connections
- Standard High Temp Finish
- Complete Line of Accessories and Mounting Brackets
- Stainless Steel Construction & Factory Customization Available



### Engine Exhaust Silencer & Accessories



Not pictured: Insulation Blanket

### DIMENSIONS IN INCHES/MILLIMETERS, WEIGHT IN POUNDS/KILOGRAMS

PART NO.	A inch / mm	C inch / mm	D inch / mm	G inch / mm	K inch / mm	WEIGHT pounds / kg
TXS15SR000	1.50 / 38	5.24 / 133	2.50 / 64	8.81 / 224	.50 / 13	11 / 5
TXS20SR000	2.00 / 51	7.24 / 184	3.50 / 89	8.81 / 224	.50 / 13	17 / 8
TXS25SR000	2.50 / 64	8.24 / 209	3.25 / 83	11.81 / 300	.75 / 19	28 / 13
TXS30SR000	3.00 / 76	9.24 / 235	5.00 / 127	16.06 / 408	1.00 / 25	52 / 24
TXS35SR000	3.50 / 89	11.49 / 292	5.00 / 127	16.06 / 408	1.00 / 25	61 / 28
TXS40SR000	4.00 / 102	15.49 / 393	5.00 / 127	16.06 / 408	1.00 / 25	75 / 34
TXS45SR000	4.50 / 114	12.49 / 317	4.55 / 116	19.38 / 492	1.45 / 37	71 / 33
TXS50SR000	5.00 / 127	16.49 / 419	4.55 / 116	19.38 / 492	1.45 / 37	96 / 44
TXS60SR000	6.00 / 152	22.49 / 571	4.55 / 116	19.38 / 492	1.45 / 37	120 / 55
TXS70SR000	8.00 / 203	15.41 / 391	6.55 / 166	26.50 / 673	1.45 / 37	140 / 64
TXS80SR000	8.00 / 203	24.33 / 618	6.55 / 166	26.50 / 673	1.45 / 37	220 / 100
TXS100SR000	10.00 / 254	30.08 / 764	6.25 / 159	34.00 / 864	1.75 / 44	330 / 150
TXS120SR000	12.00 / 305	36.08 / 916	5.75 / 146	40.00 / 1016	2.25 / 57	475 / 216