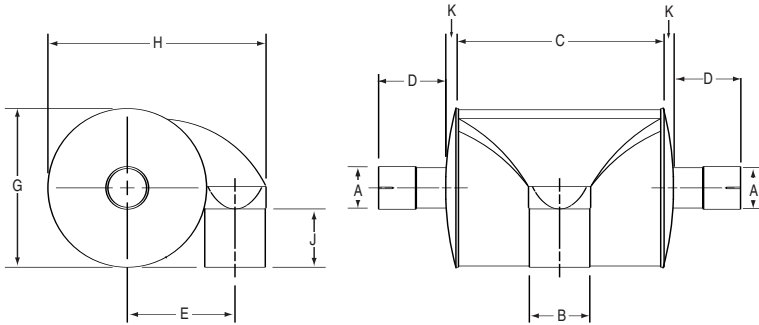




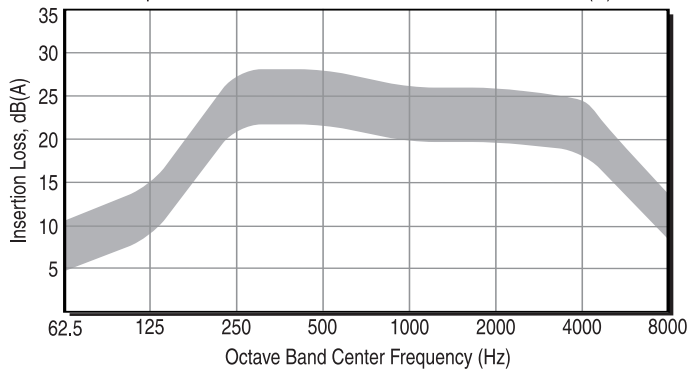
# ENGINE EXHAUST SILENCERS

## TS RESIDENTIAL GRADE — “PV” MODEL

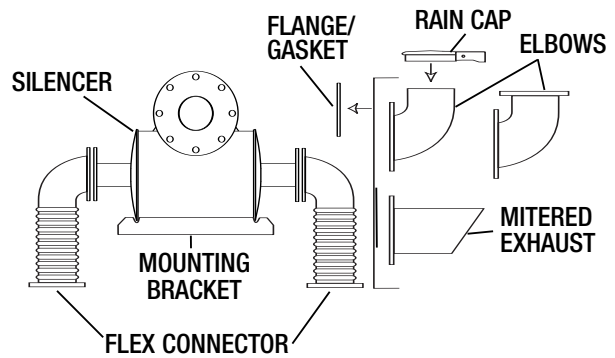


- Typical Insertion Loss = 22 — 28 dB(A)  
(Actual Insertion Loss May Vary Per Application)
- Compact Spiral Chamber Design
- Low Back Pressure
- Aluminized Steel Construction
- Low Weight
- Standard Slip-Fit Connections
- Standard High Temp Finish
- Complete Line of Accessories and Mounting Brackets
- Stainless Steel Construction & Factory Customization Available

Representative Cowl Insertion Loss - TS Series dB(A)



### Engine Exhaust Silencer & Accessories



Not pictured: Insulation Blanket

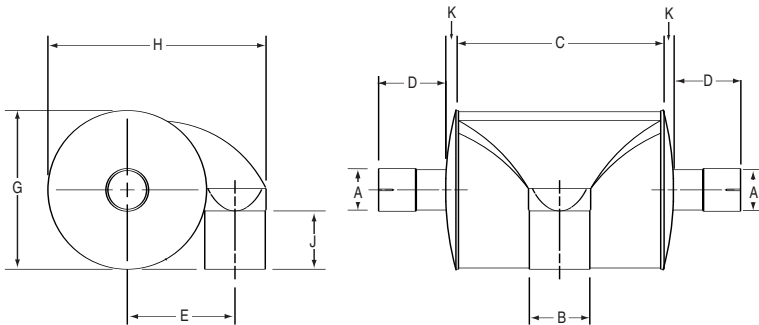
### DIMENSIONS IN INCHES/MILLIMETERS, WEIGHT IN POUNDS/KILOGRAMS

PART NO.	A inch / mm	B inch / mm	C inch / mm	D inch / mm	E inch / mm	G inch / mm	H inch / mm	J inch / mm	K inch / mm	WEIGHT pounds / kg
TS20PV30S000	2.00 / 51	3.00 / 76	9.24 / 235	3.25 / 83	7.05 / 179	11.81 / 300	14.52 / 369	4.75 / 121	.75 / 19	32 / 15
TS25PV35S000	2.50 / 64	3.50 / 89	11.49 / 292	3.25 / 83	7.26 / 184	11.81 / 300	14.92 / 379	4.38 / 111	.75 / 19	39 / 18
TS30PV45S000	3.00 / 76	4.50 / 114	15.49 / 393	5.25 / 133	7.26 / 184	11.81 / 300	15.73 / 400	6.50 / 165	.75 / 19	47 / 22
TS35PV50S000	3.50 / 89	5.00 / 127	16.50 / 419	5.00 / 127	10.04 / 255	16.06 / 408	20.84 / 529	6.50 / 165	1.00 / 25	70 / 32
TS40PV80S000	4.00 / 102	6.00 / 152	22.49 / 571	5.00 / 127	10.27 / 261	16.06 / 408	21.74 / 552	5.25 / 133	1.00 / 25	90 / 41
TS45PV60S000	4.50 / 114	6.00 / 152	22.49 / 571	5.00 / 127	10.65 / 271	16.06 / 408	21.74 / 552	5.25 / 133	1.00 / 25	90 / 41
TS50PV70S000	5.00 / 127	8.00 / 203	15.35 / 390	4.55 / 116	14.58 / 370	22.00 / 559	29.72 / 755	7.25 / 184	1.45 / 37	103 / 47
TS50PV80S000	5.00 / 127	8.00 / 203	24.27 / 616	4.55 / 116	14.58 / 370	22.00 / 559	29.72 / 755	7.25 / 184	1.45 / 37	157 / 72
TS60PV80S000	6.00 / 152	8.00 / 203	24.27 / 616	4.55 / 116	14.58 / 370	22.00 / 559	29.72 / 755	7.25 / 184	1.45 / 37	158 / 72
TS80PV100S000	8.00 / 203	10.00 / 254	30.08 / 764	6.25 / 159	18.14 / 461	28.00 / 711	37.15 / 944	9.00 / 229	1.75 / 44	268 / 122
TS80PV120S000	8.00 / 203	12.00 / 305	36.08 / 916	5.75 / 146	21.63 / 549	33.00 / 838	44.19 / 1122	10.38 / 264	2.25 / 57	380 / 173

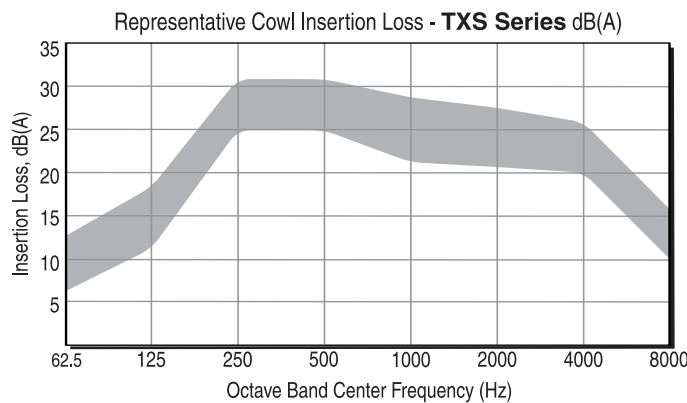


# ENGINE EXHAUST SILENCERS

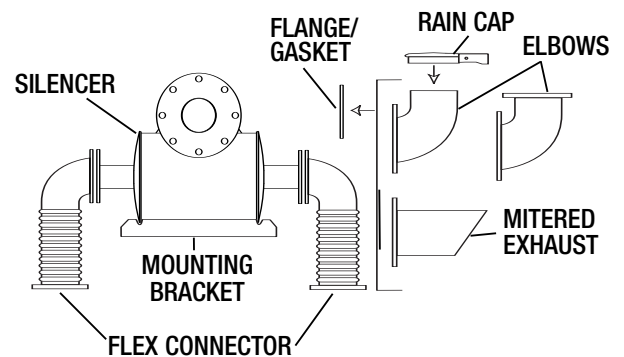
## TXS CRITICAL GRADE — “PV” MODEL



- Typical Insertion Loss = 28 — 33 dB(A)  
(Actual Insertion Loss May Vary Per Application)
- Compact Spiral Chamber Design
- Low Back Pressure
- Aluminized Steel Construction
- Low Weight
- Standard Slip-Fit Connections
- Standard High Temp Finish
- Complete Line of Accessories and Mounting Brackets
- Stainless Steel Construction & Factory Customization Available



### Engine Exhaust Silencer & Accessories



Not pictured: Insulation Blanket

### DIMENSIONS IN INCHES/MILLIMETERS, WEIGHT IN POUNDS/KILOGRAMS

PART NO.	A inch / mm	B inch / mm	C inch / mm	D inch / mm	E inch / mm	G inch / mm	H inch / mm	J inch / mm	K inch / mm	WEIGHT pounds / kg
TXS20PV30S000	2.00 / 51	3.00 / 76	9.24 / 235	3.00 / 76	8.60 / 218	16.06 / 408	18.20 / 462	4.75 / 121	1.00 / 25	50 / 23
TXS25PV35S000	2.50 / 64	3.50 / 89	11.49 / 292	3.00 / 76	8.82 / 224	16.06 / 408	18.61 / 473	4.38 / 111	1.00 / 25	62 / 29
TXS30PV45S000	3.00 / 76	4.50 / 114	15.49 / 393	5.00 / 127	9.37 / 238	16.06 / 408	19.46 / 494	6.50 / 165	1.00 / 25	76 / 35
TXS35PV50S000	3.50 / 89	5.00 / 127	16.50 / 419	4.55 / 116	11.32 / 288	19.38 / 492	23.79 / 604	6.50 / 165	1.45 / 37	97 / 44
TXS40PV80S000	4.00 / 102	6.00 / 152	22.49 / 571	4.55 / 116	11.54 / 293	19.38 / 492	24.73 / 628	5.25 / 133	1.45 / 37	125 / 57
TXS45PV60S000	4.50 / 114	6.00 / 152	22.49 / 571	4.55 / 116	11.98 / 304	19.38 / 492	24.73 / 628	5.25 / 133	1.45 / 37	126 / 58
TXS50PV70S000	5.00 / 127	8.00 / 203	15.41 / 391	4.55 / 116	16.87 / 428	26.50 / 673	34.12 / 867	9.25 / 235	1.45 / 37	150 / 68
TXS50PV80S000	5.00 / 127	8.00 / 203	24.33 / 618	4.55 / 116	16.87 / 428	26.50 / 673	34.12 / 867	9.25 / 235	1.45 / 37	230 / 105
TXS60PV80S000	6.00 / 152	8.00 / 203	24.33 / 618	4.55 / 116	16.87 / 428	26.50 / 673	34.12 / 867	9.25 / 235	1.45 / 37	230 / 105
TXS80PV100S000	8.00 / 203	10.00 / 254	30.08 / 764	6.25 / 159	21.28 / 541	34.00 / 864	43.34 / 1101	11.75 / 298	1.75 / 44	375 / 171
TXS80PV120S000	8.00 / 203	12.00 / 305	36.08 / 916	5.75 / 146	24.70 / 627	40.00 / 1016	50.76 / 1289	13.62 / 346	2.25 / 57	532 / 242