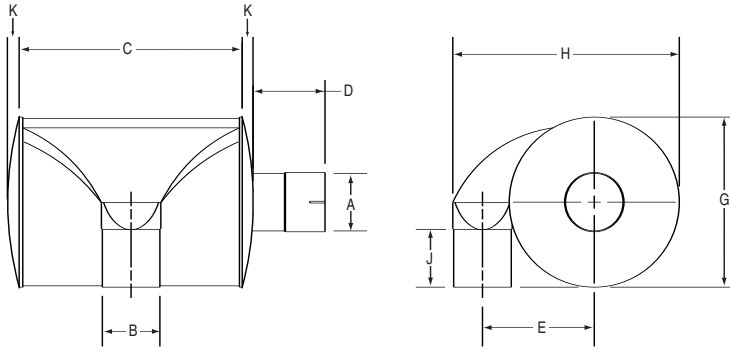




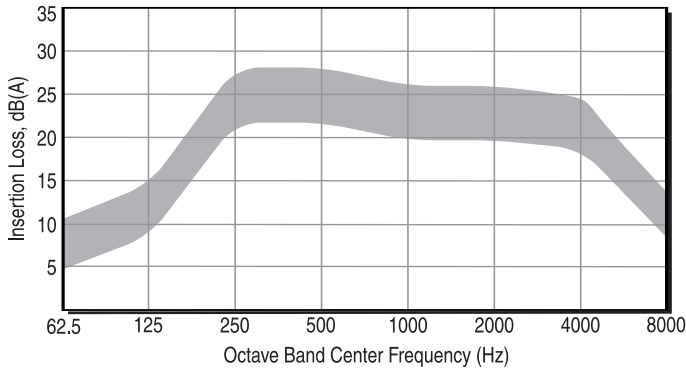
ENGINE EXHAUST SILENCERS

TS RESIDENTIAL GRADE — “PL” MODEL

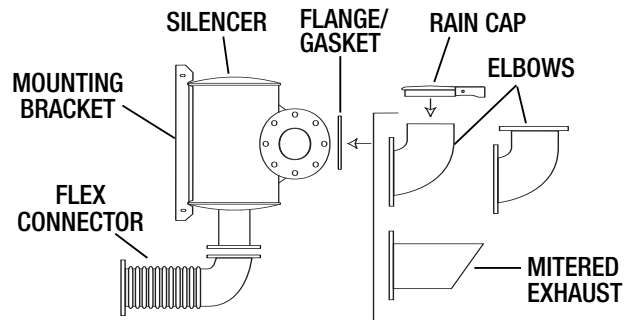


- Typical Insertion Loss = 22 — 28 dB(A)
(Actual Insertion Loss May Vary Per Application)
- Compact Spiral Chamber Design
- Low Back Pressure
- Aluminized Steel Construction
- Low Weight
- Standard Slip-Fit Connections
- Standard High Temp Finish
- Complete Line of Accessories and Mounting Brackets
- Stainless Steel Construction & Factory Customization Available

Representative Cowl Insertion Loss - TS Series dB(A)



Engine Exhaust Silencer & Accessories



Not pictured: Insulation Blanket

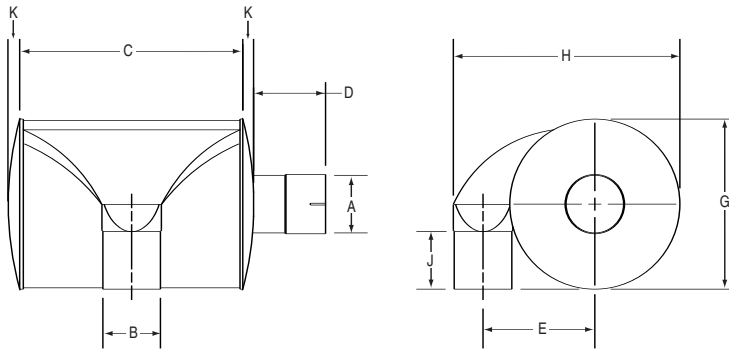
DIMENSIONS IN INCHES/MILLIMETERS, WEIGHT IN POUNDS/KILOGRAMS

PART NO.	A inch / mm	B inch / mm	C inch / mm	D inch / mm	E inch / mm	G inch / mm	H inch / mm	J inch / mm	K inch / mm	WEIGHT pounds / kg
TS15PLS000	1.50 / 38	1.50 / 38	5.24 / 133	2.50 / 64	4.12 / 105	7.18 / 182	8.55 / 217	3.59 / 91	.50 / 13	10 / 5
TS20PLS000	2.00 / 51	2.00 / 51	7.24 / 184	3.50 / 89	4.37 / 111	7.18 / 182	9.05 / 230	3.59 / 91	.50 / 13	14 / 7
TS25PLS000	2.50 / 64	2.50 / 64	8.24 / 209	3.50 / 89	5.41 / 137	8.81 / 224	11.13 / 283	4.41 / 112	.50 / 13	19 / 9
TS30PLS000	3.00 / 76	3.00 / 76	9.24 / 235	5.25 / 133	7.05 / 179	11.81 / 300	14.52 / 369	5.91 / 150	.75 / 19	31 / 14
TS35PLS000	3.50 / 89	3.50 / 89	11.49 / 292	5.25 / 133	7.26 / 184	11.81 / 300	14.92 / 379	5.91 / 150	.75 / 19	38 / 18
TS40PLS000	4.00 / 102	4.00 / 102	15.49 / 393	5.25 / 133	7.76 / 197	11.81 / 300	15.73 / 400	5.91 / 150	.75 / 19	46 / 21
TS45PLS000	4.50 / 114	4.50 / 114	12.49 / 317	5.00 / 127	10.04 / 255	16.06 / 408	20.38 / 518	8.03 / 204	1.00 / 25	65 / 30
TS50PLS000	5.00 / 127	5.00 / 127	16.49 / 419	5.00 / 127	10.27 / 261	16.06 / 408	20.84 / 529	8.03 / 204	1.00 / 25	71 / 33
TS60PLS000	6.00 / 152	6.00 / 152	22.49 / 571	5.00 / 127	10.65 / 271	16.06 / 408	21.74 / 552	8.03 / 204	1.00 / 25	92 / 42
TS70PLS000	8.00 / 203	8.00 / 203	15.35 / 390	6.55 / 166	14.58 / 370	22.00 / 559	29.72 / 755	11.00 / 279	1.45 / 37	100 / 46
TS80PLS000	8.00 / 203	8.00 / 203	24.27 / 616	6.55 / 166	14.58 / 370	22.00 / 559	29.72 / 755	11.00 / 279	1.45 / 37	154 / 70
TS100PLS000	10.00 / 254	10.00 / 254	30.08 / 764	6.25 / 159	18.14 / 461	28.00 / 711	37.15 / 944	14.00 / 358	1.75 / 44	250 / 114
TS120PLS000	12.00 / 305	12.00 / 305	36.08 / 916	5.75 / 146	21.63 / 549	33.00 / 838	44.19 / 1122	16.50 / 419	2.25 / 57	365 / 166

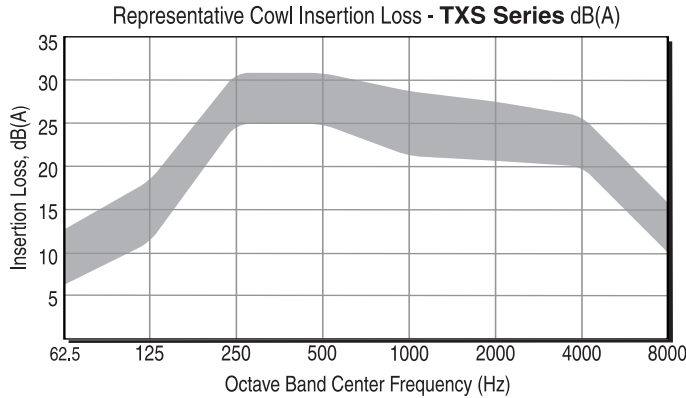


ENGINE EXHAUST SILENCERS

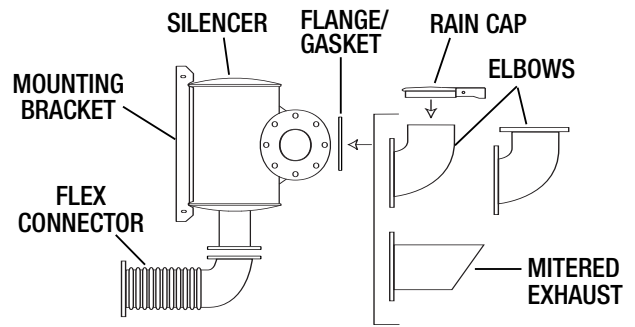
TXS CRITICAL GRADE — “PL” MODEL



- Typical Insertion Loss = 28 — 33 dB(A)
(Actual Insertion Loss May Vary Per Application)
- Compact Spiral Chamber Design
- Low Back Pressure
- Aluminized Steel Construction
- Low Weight
- Standard Slip-Fit Connections
- Standard High Temp Finish
- Complete Line of Accessories and Mounting Brackets
- Stainless Steel Construction & Factory Customization Available



Engine Exhaust Silencer & Accessories



Not pictured: Insulation Blanket

DIMENSIONS IN INCHES/MILLIMETERS, WEIGHT IN POUNDS/KILOGRAMS

PART NO.	A inch / mm	B inch / mm	C inch / mm	D inch / mm	E inch / mm	G inch / mm	H inch / mm	J inch / mm	K inch / mm	WEIGHT pounds / kg
TXS15PLS000	1.50 / 38	1.50 / 38	5.24 / 133	2.50 / 64	4.85 / 123	8.81 / 224	10.03 / 255	4.41 / 112	.50 / 13	12 / 6
TXS20PLS000	2.00 / 51	2.00 / 51	7.24 / 184	3.50 / 89	5.00 / 127	8.81 / 224	10.49 / 266	4.41 / 112	.50 / 13	17 / 8
TXS25PLS000	2.50 / 64	2.50 / 64	8.24 / 209	3.25 / 83	6.45 / 164	11.81 / 300	13.67 / 347	5.91 / 150	.75 / 19	31 / 14
TXS30PLS000	3.00 / 76	3.00 / 76	9.24 / 235	5.00 / 127	8.60 / 218	16.06 / 408	18.20 / 462	8.03 / 204	1.00 / 25	53 / 24
TXS35PLS000	3.50 / 89	3.50 / 89	11.49 / 292	5.00 / 127	8.82 / 224	16.06 / 408	18.61 / 473	8.03 / 204	1.00 / 25	61 / 28
TXS40PLS000	4.00 / 102	4.00 / 102	15.49 / 393	5.00 / 127	9.37 / 238	16.06 / 408	19.46 / 494	8.03 / 204	1.00 / 25	75 / 34
TXS45PLS000	4.50 / 114	4.50 / 114	12.49 / 317	4.55 / 116	11.32 / 288	19.38 / 492	23.32 / 592	9.69 / 246	1.45 / 37	80 / 37
TXS50PLS000	5.00 / 127	5.00 / 127	16.49 / 419	4.55 / 116	11.54 / 293	19.38 / 492	23.79 / 604	9.69 / 246	1.45 / 37	97 / 44
TXS60PLS000	6.00 / 152	6.00 / 152	22.49 / 571	4.55 / 116	11.98 / 304	19.38 / 492	24.73 / 628	9.69 / 246	1.45 / 37	124 / 57
TXS70PLS000	8.00 / 203	8.00 / 203	15.41 / 391	6.55 / 166	16.87 / 428	26.50 / 673	34.12 / 867	13.25 / 337	1.45 / 37	140 / 64
TXS80PLS000	8.00 / 203	8.00 / 203	24.33 / 618	6.55 / 166	16.87 / 428	26.50 / 673	34.12 / 867	13.25 / 337	1.45 / 37	216 / 98
TXS100PLS000	10.00 / 254	10.00 / 254	30.08 / 764	6.25 / 159	21.28 / 541	34.00 / 864	43.34 / 1101	17.00 / 432	1.75 / 44	350 / 159
TXS120PLS000	12.00 / 305	12.00 / 305	36.08 / 916	5.75 / 146	24.70 / 627	40.00 / 1016	50.76 / 1289	20.00 / 508	2.25 / 57	511 / 232